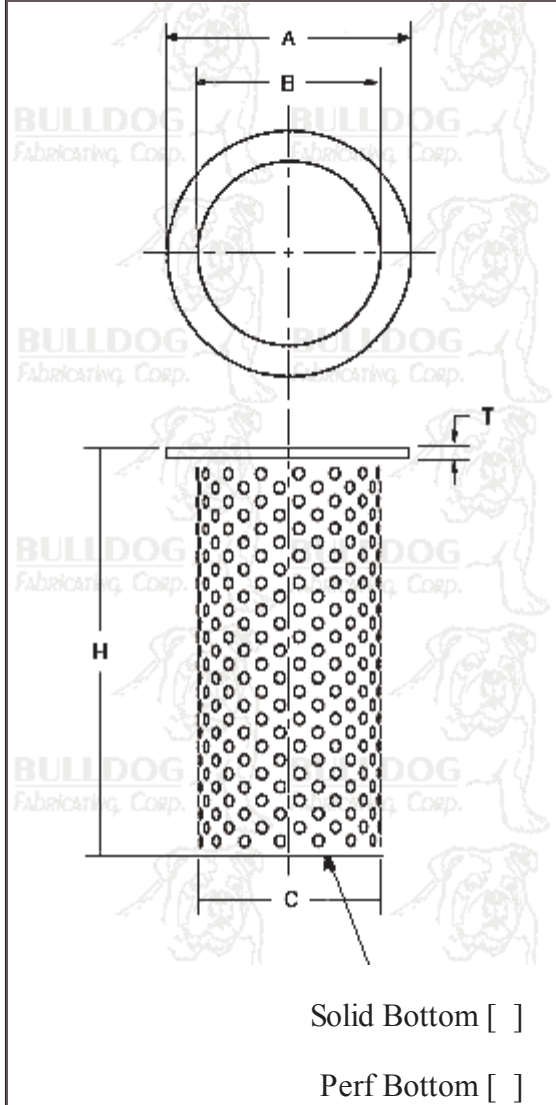


**Print** this form, fill out all information and fax to: **(734) 761-4889**

Part Number		Perf			Material	
Size	A	B	C	H	T	



Handle Type:

[ ] Square     [ ] U-Shaped

[ ] Flat                       [ ] None

Dimensions: \_\_\_\_\_

---

Mesh: \_\_\_\_\_

[ ] Inside     [ ] Outside     [ ] None

---

Special Notes:

Company: \_\_\_\_\_

Name: \_\_\_\_\_

Phone: \_\_\_\_\_ Fax: \_\_\_\_\_

734-761-3111  
800-285-5364  
info@bulldogfab.com



www.bulldogfab.com